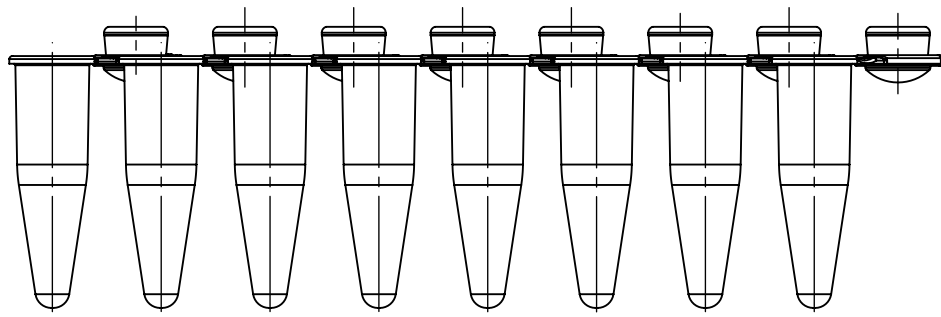
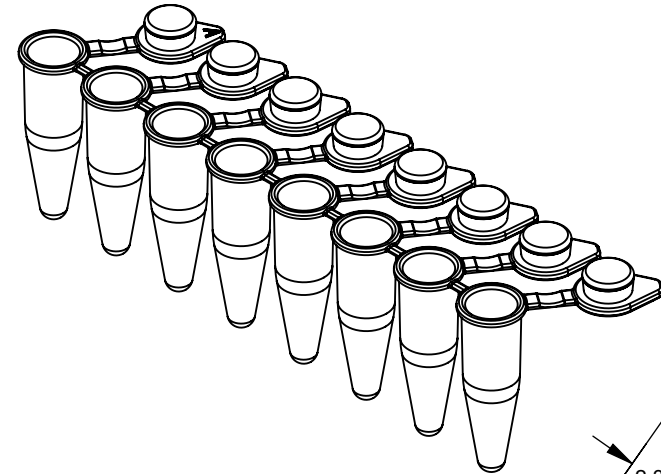
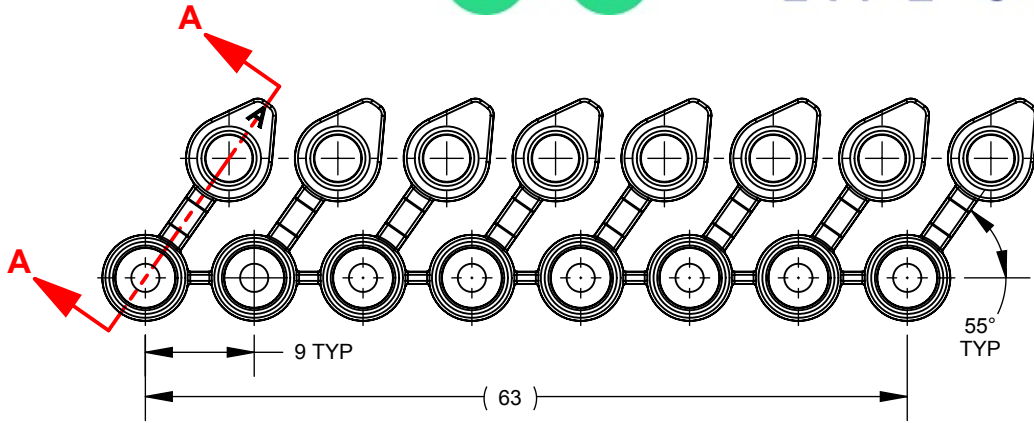
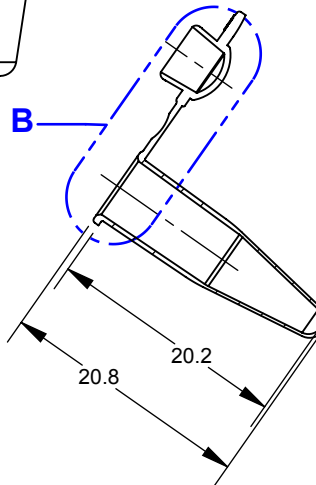
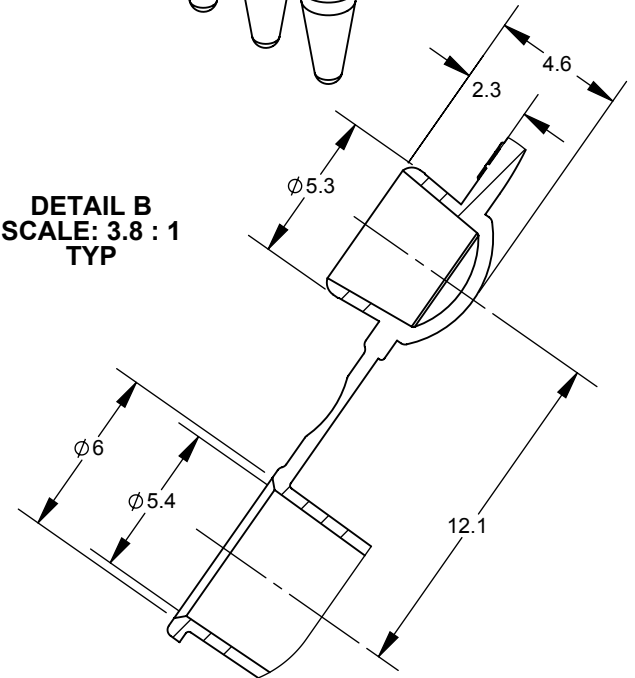




westburg
LIFE SCIENCES



DETAIL B
SCALE: 3.8 : 1
TYP



SECTION A-A
SCALE: 1.6 : 1
TYP

WB 1504 8-STRIP PCR TUBE W/ SNAP STRIP DOME CAP

Arnhemseweg 87
3832 GK Leusden
The Netherlands

P.O. Box 214
3830 AE Leusden
The Netherlands

+31 33 495 0094
info@westburg.eu
www.westburg.eu

IBAN NL78RABO0168460297
NL005049532B01
KvK 31024246

